

### Description

The HTH8G02P1K4H(B) is high ruggedness device designed for use in high VSWR ISM, Broadcast and Mobile Radio applications. Their unmatched Input/Output design supports frequency use from 1.8 to 200 MHz

### Features

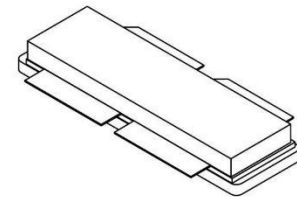
- Saturated output power :1400W
- Operating Drain Voltage: 50V
- Efficiency :70%
- Device can be used on a single-ended or in a push-pull configuration. Doherty application applicable
- Integrated ESD protection
- Excellent thermal stability due to low thermal resistance package
- Enhanced robustness design without device degradation

### Applications

- Industrial Scientific Medical (ISM)
  - Laser generation
  - Plasma generation
  - Particle accelerators
  - MRI, RF ablation and skin treatment
  - Industrial heating, welding and drying systems

### Ordering Information

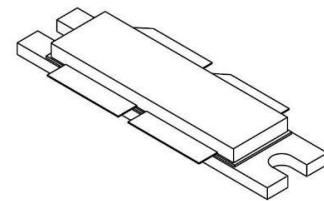
Part Number	Description
HTH8G02P1K4H(B)	Tray Package
HTH8G02P1K4H(B) EVB	60 MHz EVB



**ACC3210S-4L**



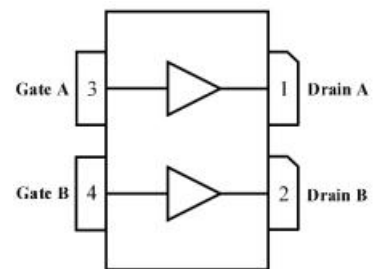
Earless Flanged balanced  
Air Cavity Ceramic Package; 4 Leads  
**HTH8G02P1K4H**



**ACC3210B-4L**



Flanged balanced  
Air Cavity Ceramic Package; 4 Leads,  
2 Mounting holes  
**HTH8G02P1K4HB**



(Top View)

Note: Exposed backside of the package is the source terminal for the transistor

### Pin Connections



# HTH8G02P1K4H(B)

## 1400W, 1.8 - 200 MHz LDMOS Amplifier

Product datasheet

### Typical Performance

#### RF Characteristics (Pulsed-CW)

Vdd (V)	Gain (dB)	Pout(dBm)	Pout(W)	Eff (%)
50	26.8	61.40	1380	78
55	27.1	61.80	1510	73

Test conditions unless otherwise noted: 25 °C (Indirect water cooling), Freq@60 MHz, IDQ= 100mA, PW = 100us, DC = 10% test on WATECH Application Board

#### RF Characteristics (CW)

Vdd (V)	Gain (dB)	Pout(dBm)	Pout(W)	Eff (%)
50	27.08	61.32	1350	78
55	27.43	61.76	1500	74

Test conditions unless otherwise noted: 25 °C (Indirect water cooling), Freq@60 MHz, IDQ= 100mA,CW, test on WATECH Application Board

### Absolute Maximum Ratings

Parameter	Range/Value	Unit
Drain voltage (V <sub>DSS</sub> )	-0.5 to +135	V
Gate voltage (V <sub>GS</sub> )	-5 to +10	V
Drain voltage (V <sub>DD</sub> )	0 to +55	V
Storage Temperature (T <sub>STG</sub> )	-55 to +150	°C
Junction Temperature (T <sub>J</sub> )	-40 to +225	°C

### Electrical Specification

#### DC Characteristics

Parameter	Conditions	Min	Typ	Max	Unit
Breakdown Voltage V <sub>(BR)DSS</sub>	Vgs=0V, Ids=200uA	-	135	-	V
Gate-Source Threshold Voltage V <sub>GS(th)</sub>	Vds=10V, Ids=200uA	1.5	2.25	2.9	V
Drain Leakage Current I <sub>DSS</sub>	Vds=50V, Vgs=0V	-	0.0029	10	uA
Gate Leakage Current I <sub>GSS</sub>	Vds=0V, Vgs=10V	-	0.0001	1	uA



# HTH8G02P1K4H(B)

## 1400W, 1.8 - 200 MHz LDMOS Amplifier

Product datasheet

### Load Mismatch Test

Condition	Test Result
VSWR=65:1 at all Phase Angles, $V_{DD}=+55V_{dc}$ , $I_{DQ} = 100 \text{ mA}$ , Freq = 60MHz, PW = 200 us, DC = 20%, $P_{out} = 1500W$ test on WATECH Application Board	No Device Degradation

### Thermal Information

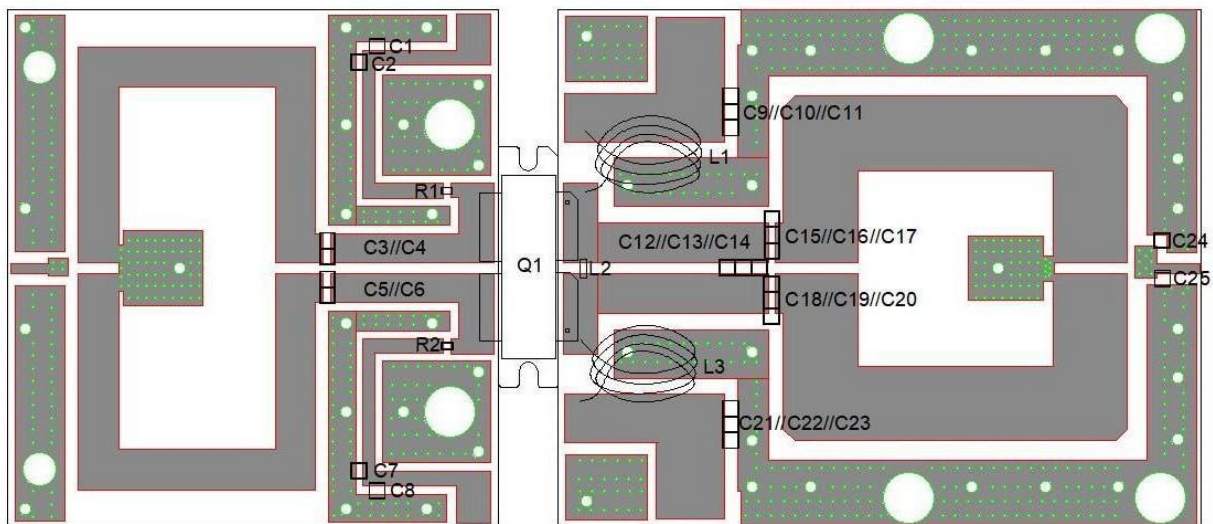
Parameter	Condition	Value (Typ)	Unit
Thermal Resistance Junction to Case ( $R_{TH}$ )	$T_{CASE}= 45^{\circ}C$ , CW, $V_{DD}=+50V_{dc}$ , $I_{DQ}=100 \text{ mA}$ , $P_{out} = 1400W$	0.1	$^{\circ}C / W$

### RF Characteristics (Pulsed CW) @50V

Freq (MHz)	Gain (dB)	Pout(dBm)	Pout(W)	Eff (%)
60	28.83	61.40	1380	78

Test conditions unless otherwise noted: 25 °C (Indirect water cooling), Freq@60 MHz,  $I_{DQ}= 100mA$ , PW = 100us, DC = 10% test on WATECH Production Board

### HTH8G02P1K4H(B) 60 MHz Reference Design

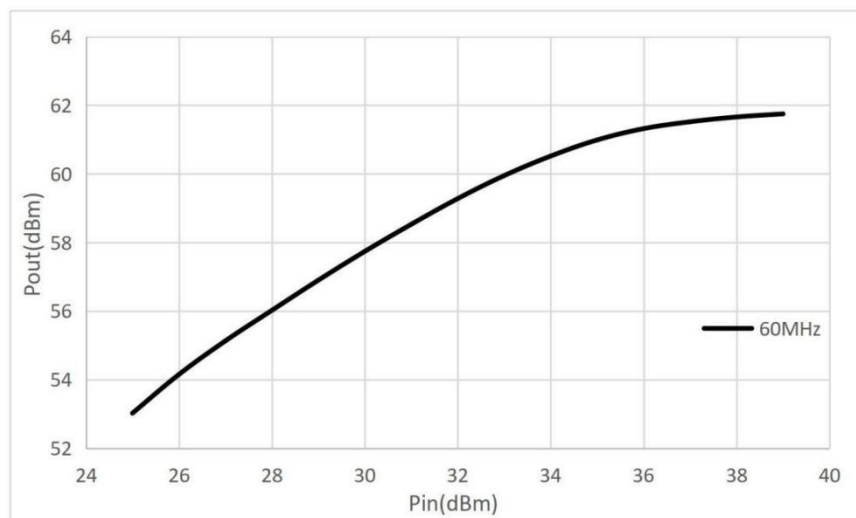


EVB Layout @60 MHz

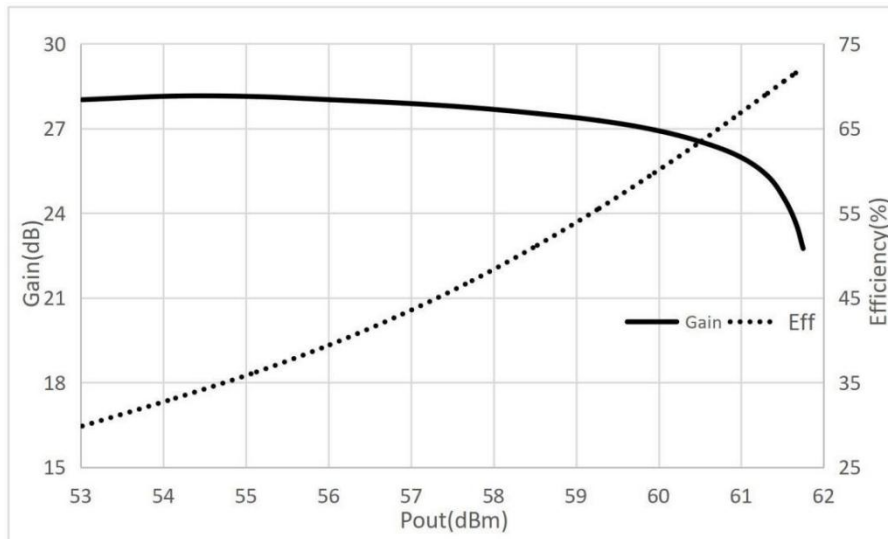
### Bill of Materials (BoM) - HTH8G02P1K4H(B) 60 MHz Reference Design

Reference	Value	Description	Manufacturer	P/N
Q1	-	1400W, 1.8-200 MHz LDMOS Power Transistor	Watech	HTH8G02P1K4H(B)
C1,C8,C10,C11,C22,C23	470pF	MLCC	ATC	ATC100B471JT
C2,C7	680pF	MLCC	ATC	ATC100B681KT
C3,C5	30pF	MLCC	ATC	ATC100B300JT
C4,C6,C9,C21	56pF	MLCC	ATC	ATC100B560JT
C12	68pF	MLCC	ATC	ATC100B680JT
C13	240pF	MLCC	ATC	ATC100B241JT
C14	4p7F	MLCC	ATC	ATC100B4R7CT
C15,C16,C17,C18,C19,C20	24pF	MLCC	ATC	ATC100B240JT
C24	1nF	MLCC	ATC	ATC800B102JT50XT
C25	4u7F	MLCC	Murata	GRM31CR71H475KA12L
R1, R2	51Ω	Thick Film Resistor	-	-
L1, L3	1*10*10T	Enameled wire	-	-
L2	R:1,W:3,H:17	Enameled wire	-	-
PCB	TC350 (er = 3.5), 30 mil (0.762 mm), 35 μm (1oz)			

### Performance Plots HTH8G02P1K4H(B) 60 MHz



**CW, Pin vs Pout**

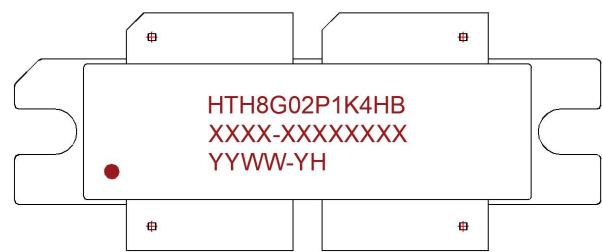
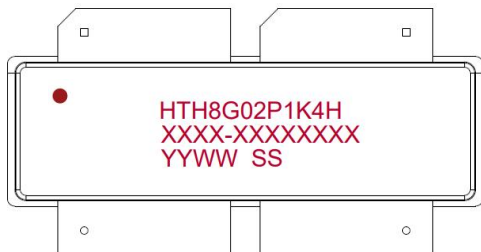


**CW, Gain and Eff vs Pout**

Test conditions unless otherwise noted: 25 °C (Indirect water cooling) (Indirect water cooling), VDD = +50Vdc, IDQ = 100 mA,

PW = 100us, DC = 10% tested on WATECH Application Board

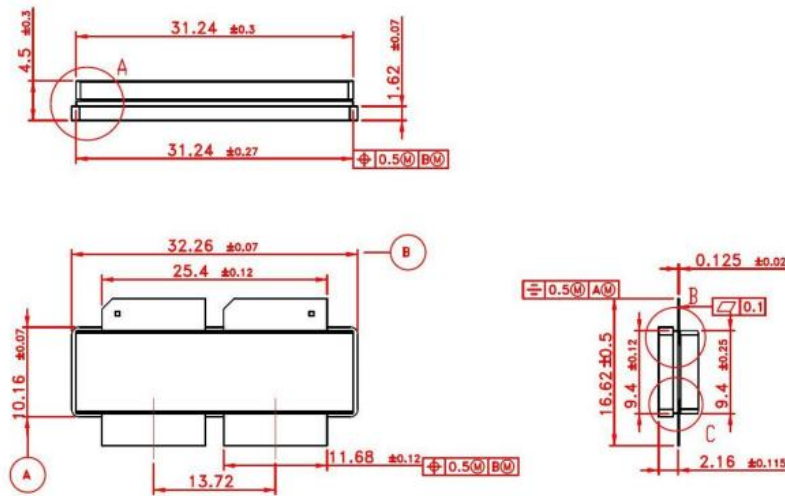
### Package Marking and Dimensions



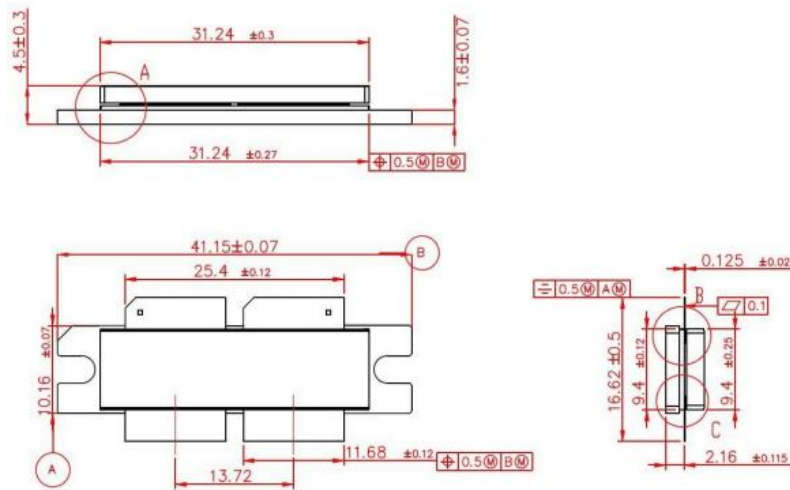
- Line1 (fixed): Device name in W/O
- Line2 (unfixed): Marking Lot No in W/O (Sample: E596-EERA0001)
- Line3 (unfixed): Date Code+YH

This Marking SPEC only stipulates the content of Marking. For marking requirements such as font and size, please refer to the latest version of “Watech Product Printing Specification”

#### Marking



**ACC3210S-4L; Earless flanged balanced Ceramic Package; 4 Leads**

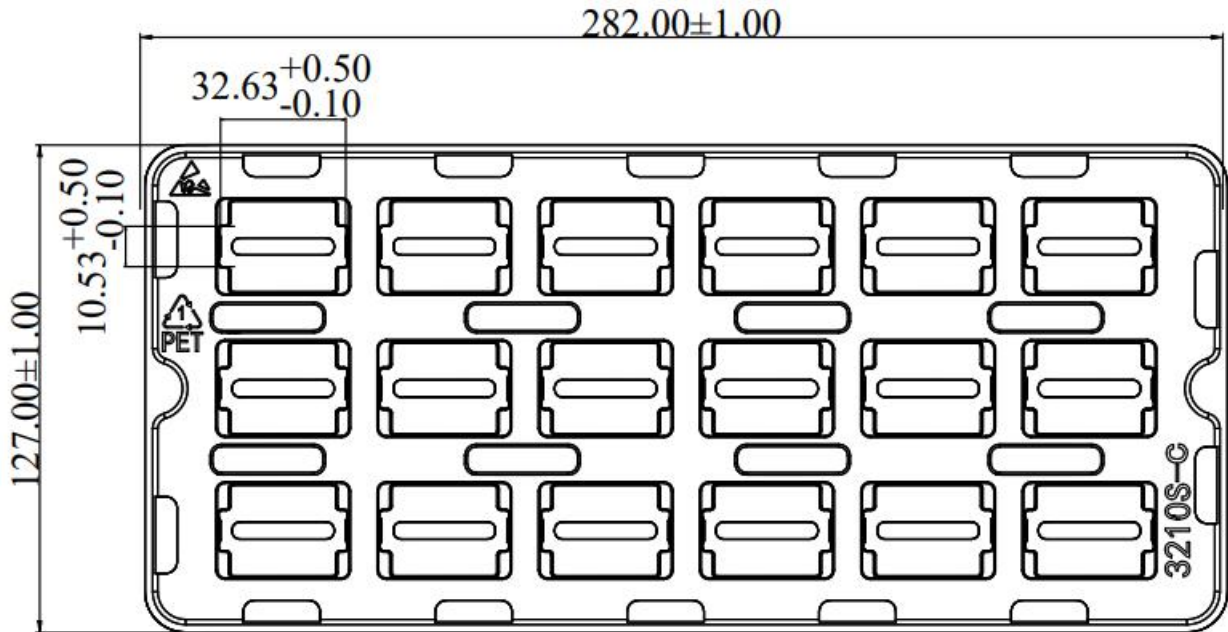


**ACC3210B-4L; Flanged balanced Ceramic Package; 2 Mounting holes, 4 Leads**  
**Package Dimensions**

### Packaging Information

#### HTH8G02P1K4H:

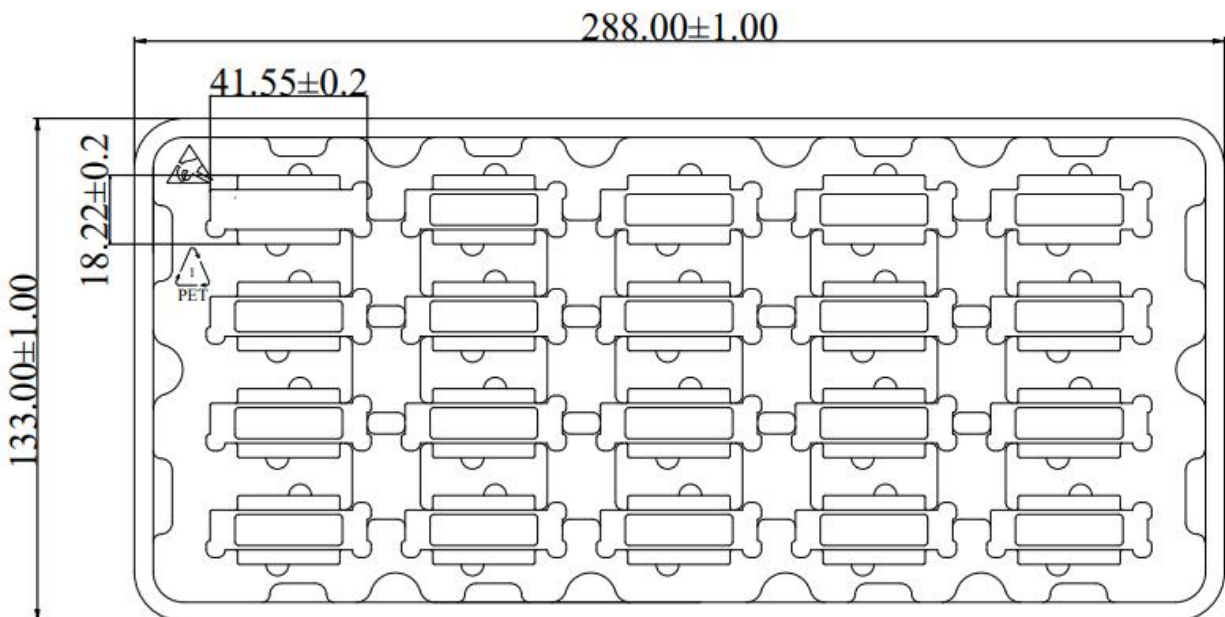
Package Type	Qty/Tray(pcs)	Qty/Box(pcs)	Qty/Carton(pcs)
ACC3210S-4L	18	90	540



#### Packaging Descriptions

#### HTH8G02P1K4HB:


Package Type	Qty/Tray(pcs)	Qty/Box(pcs)	Qty/Carton(pcs)
ACC3210B-4L	20	100	600



#### Packaging Descriptions

### Handling Precautions

Parameter	Grade
Moisture Sensitivity Level MSL	3

Parameter	Rating	Standard	
ESD – Human Body Model (HBM)	Class 1B	JESD22-A114	
ESD – Human Body Model (MM)	Class A	EIA/JESD22-A115	
ESD – Charged Device Model (CDM)	Class III	JESD22-C101	

### RoHS Compliance

This product is compliant with the 2011/65/EU RoHS directive (Restrictions on the Use of Certain Hazardous Substances in Electrical and Electronic Equipment), as amended by Directive 2015/863/EU.

### Datasheet Status

Document status	Product status	Definition
Objective Datasheet	Design simulation	Product objective specification
Preliminary Datasheet	Customer sample	Engineering samples and first test results
Product Datasheet	Mass production	Final product specification

### Abbreviations

Acronym	Definition
LDMOS	Laterally-Diffused Metal-Oxide Semiconductor
CW	Continuous Waveform
VSWR	Voltage Standing Wave Ratio





**HTH8G02P1K4H(B)**  
**1400W, 1.8 - 200 MHz LDMOS Amplifier**  
Product datasheet

**Revision history**

---

Document ID	Datasheet Status	Release Date	Revision Version
Rev 1.3	Preliminary	March 2021	Add HTH8G02P1K4HB package diagram
Rev 1.4	Preliminary	Sept. 2021	Update package name
Rev 1.5	Product	Sept. 2021	Add thermal resistance data
Rev 1.6	Product	Sept. 2021	Add Demo data chart
Rev 1.7	Product	Sept. 2021	Correct the frequency of BoM header
Rev 1.8	Product	Dec. 2021	Correct writing errors
Rev 1.9	Product	Dec. 2021	1. Correct the typo in the load mismatch test conditions; 2. Correct the typo of the component manufacturer in the reference design BoM
Rev 2.0	Product	March 2023	New format based on English version datasheet
Rev 2.1	Product	Sept. 2023	Update TBD information
Rev 2.2	Product	March 2024	Version released after re review



# HTH8G02P1K4H(B) 1400W, 1.8 - 200 MHz LDMOS Amplifier

Product datasheet

## Contact Information

---

For the latest specifications, additional product information, worldwide sales and distribution locations and information about WATECH:

- Web: [www.watechelectronics.com](http://www.watechelectronics.com)
- Email: [MKT@huatai-elec.com](mailto:MKT@huatai-elec.com)

For technical questions and application information:

- Email: [MKT@huatai-elec.com](mailto:MKT@huatai-elec.com)

## Important Notice

---

Information in this document is believed to be accurate and reliable. However, WATECH does not give any representations or warranties, expressed or implied, as to the accuracy or completeness of such information and shall have no liability for the consequences of use of such information.

“Typical” parameters are the average values expected by WATECH in large quantities and are provided for information purposes only. All information and specifications contained herein are subject to change without notice and customers should obtain and verify the latest relevant information before placing orders for WATECH products.

The information contained herein or any use of such information does not grant, explicitly or implicitly, to any party any patent rights, licenses, or any other intellectual property rights, whether with regard to such information itself or anything described by such information.

Applications that are described herein for any of these products are for illustrative purposes only. WATECH makes no representation or warranty that such applications will be suitable for the specified use without further testing or modification. Customers are responsible for the design and operation of their applications and products using WATECH products, and WATECH accepts no liability for any assistance with applications or customer product design. It is customer's sole responsibility to determine whether the WATECH product is suitable and fit for the customer's applications and products planned, as well as for the planned application and use of customer's third-party customer(s). Customers should provide appropriate design and operating safeguards to minimize the risks associated with their applications and products.

WATECH products are not designed, authorized or warranted to be suitable for use in life support, life-critical or safety-critical systems or equipment, nor in applications where failure or malfunction of a WATECH product can reasonably be expected to result in personal injury, death or severe property or environmental damage. This document as well as the item(s) described herein may be subject to export control regulations. Export might require a prior authorization from competent authorities.